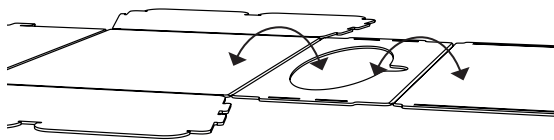


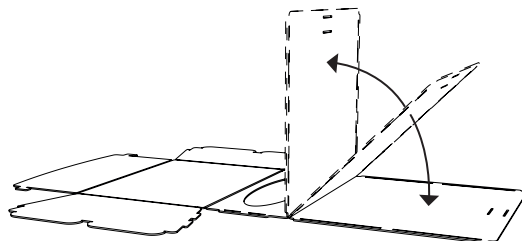
# FOLDING INSTRUCTIONS

## JT-703: PAPER TOWEL DISPENSER

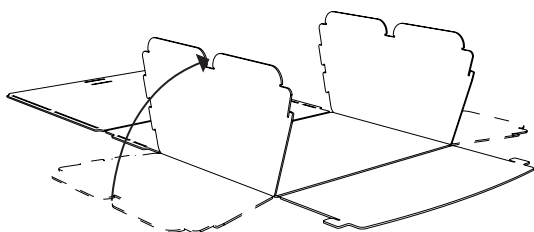
1. Remember to fold the product in the right direction.  
The milled folds should be folded inwards.



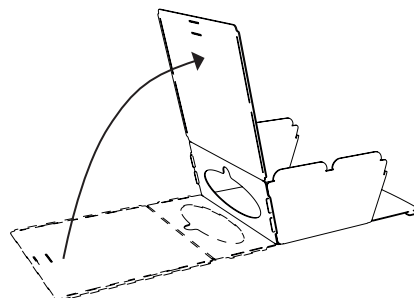
2. Soften the foldings by prefolding them, all the way towards the back.



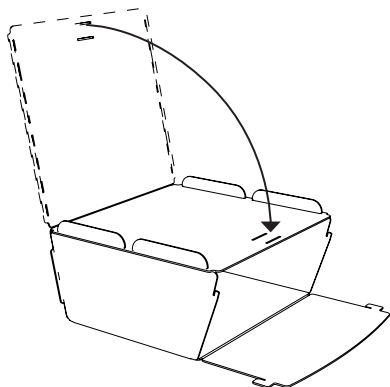
3. Fold the gables.



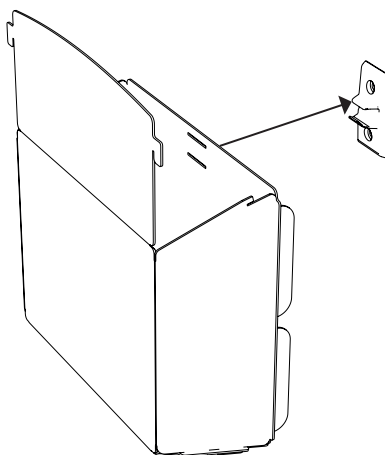
4. Fold the bottom and snap it into the gables.



5. Fold the back piece and snap it into the gables.



6. Attach the Paper towel dispenser to the wall bracket.



7. Fold down the cover and lock it by using the brackets on the side

